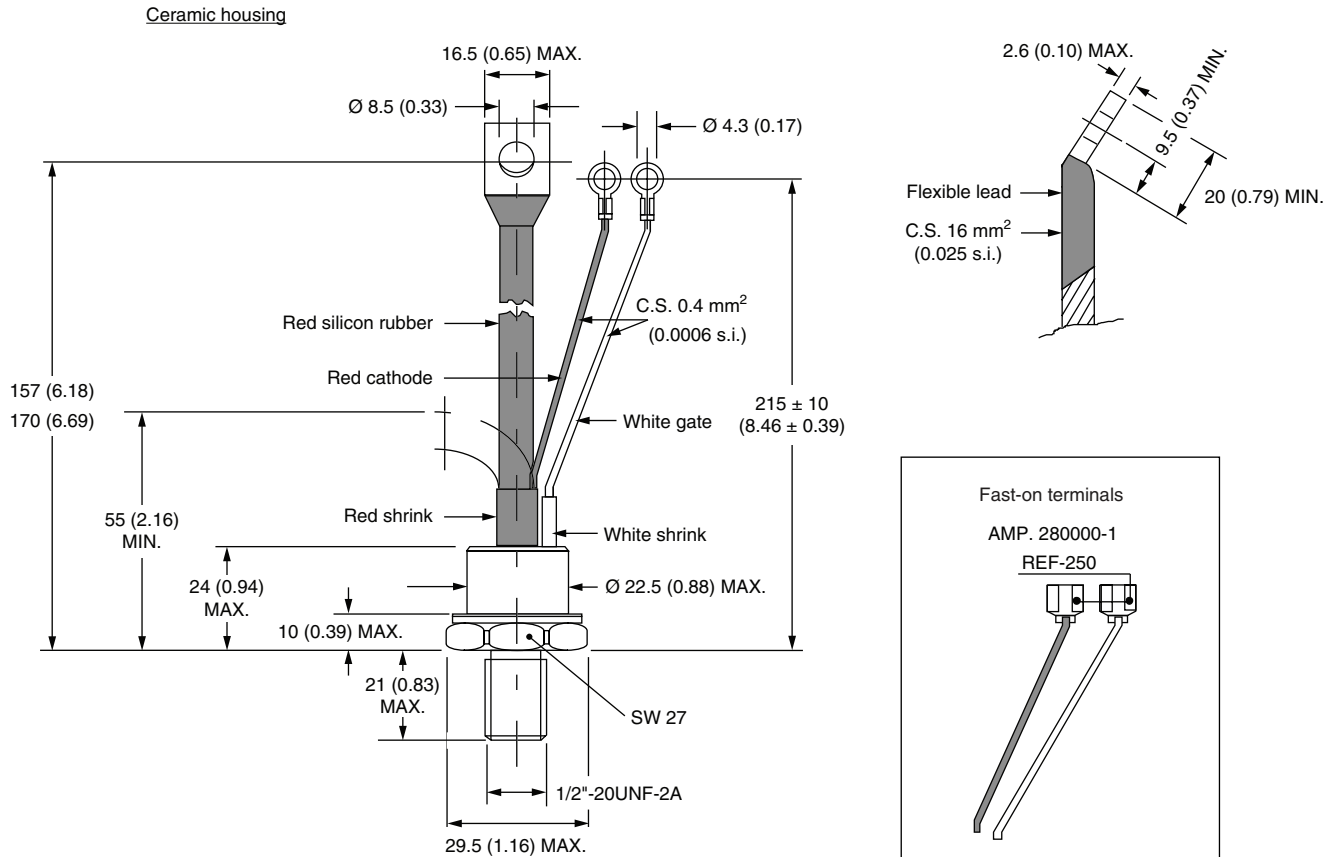




TO-209AC (TO-94) for 110RKI and 111RKI Series

DIMENSIONS in millimeters (inches)



Note

- For metric device: M12 x 1.75 contact factory